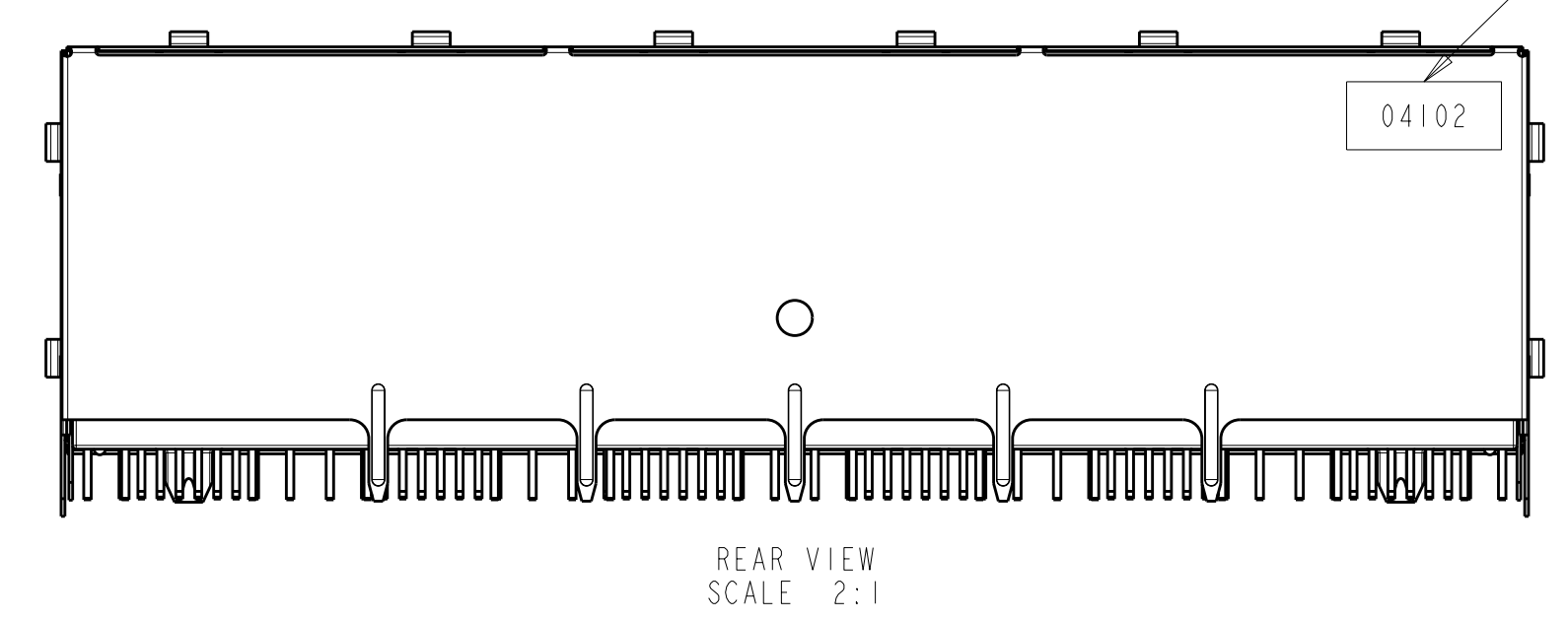
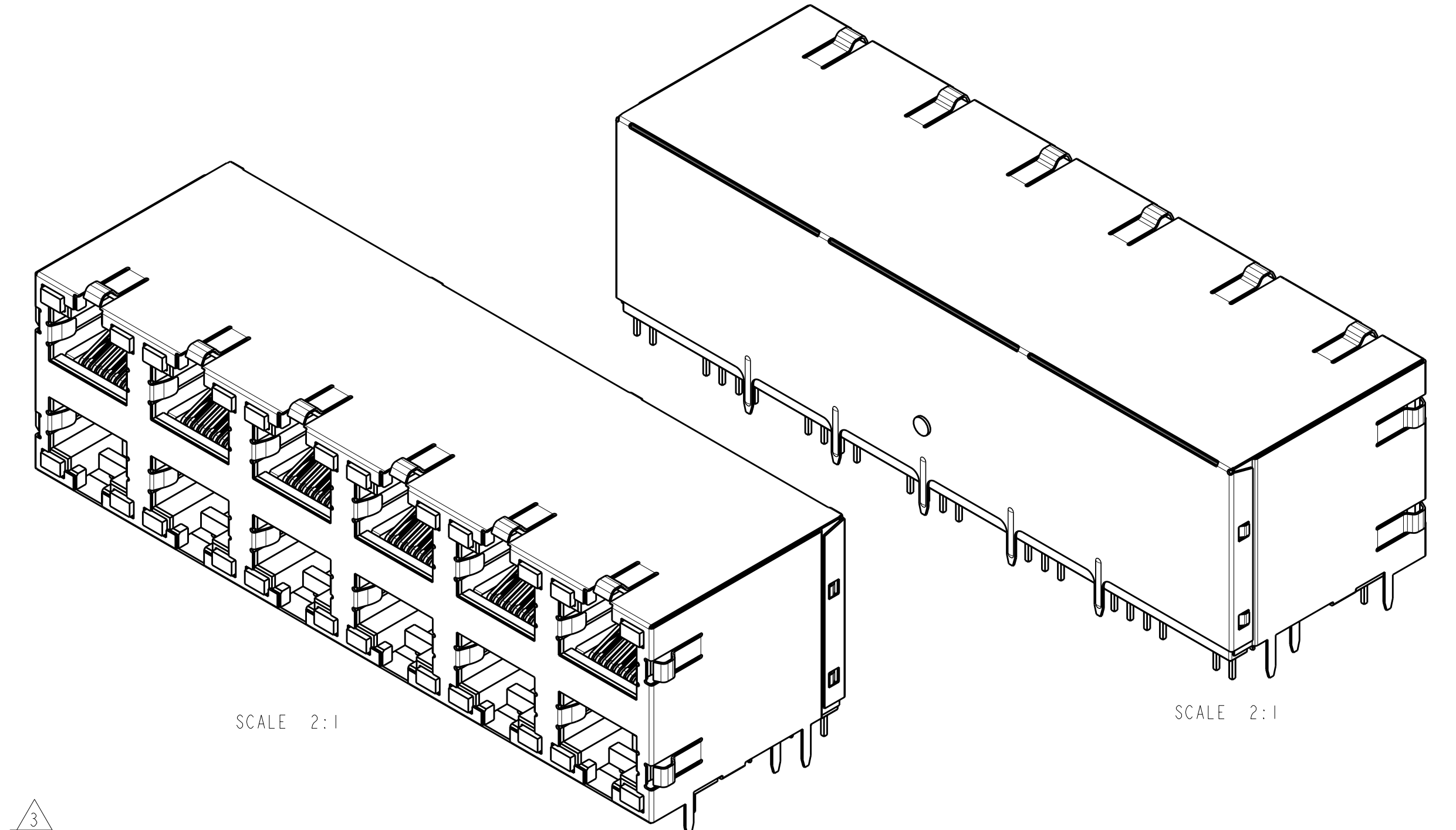
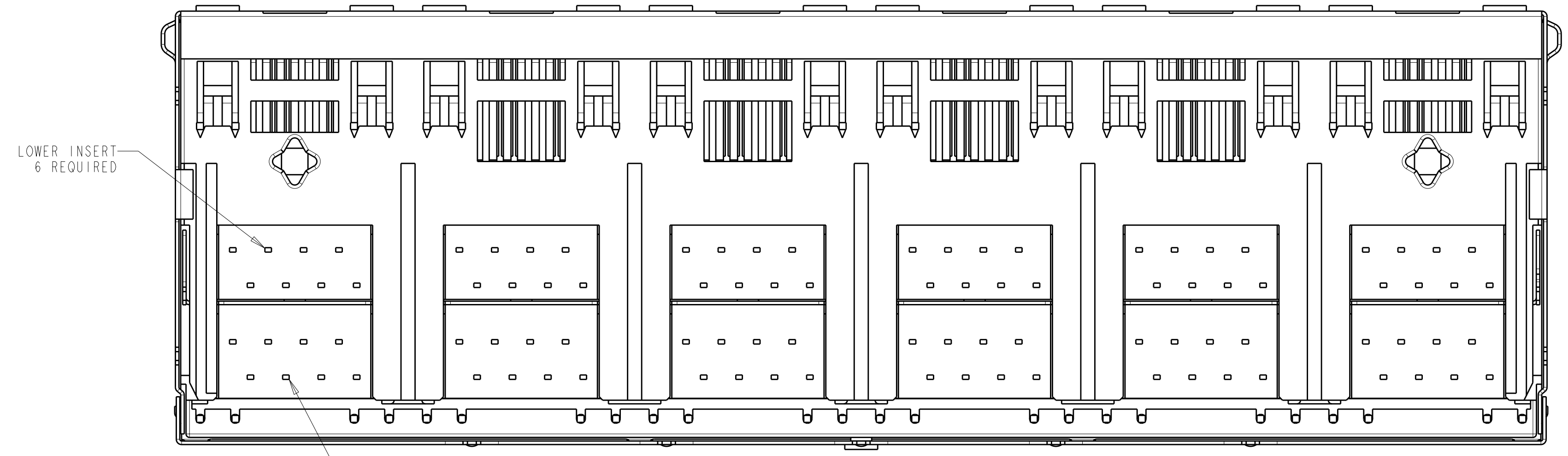
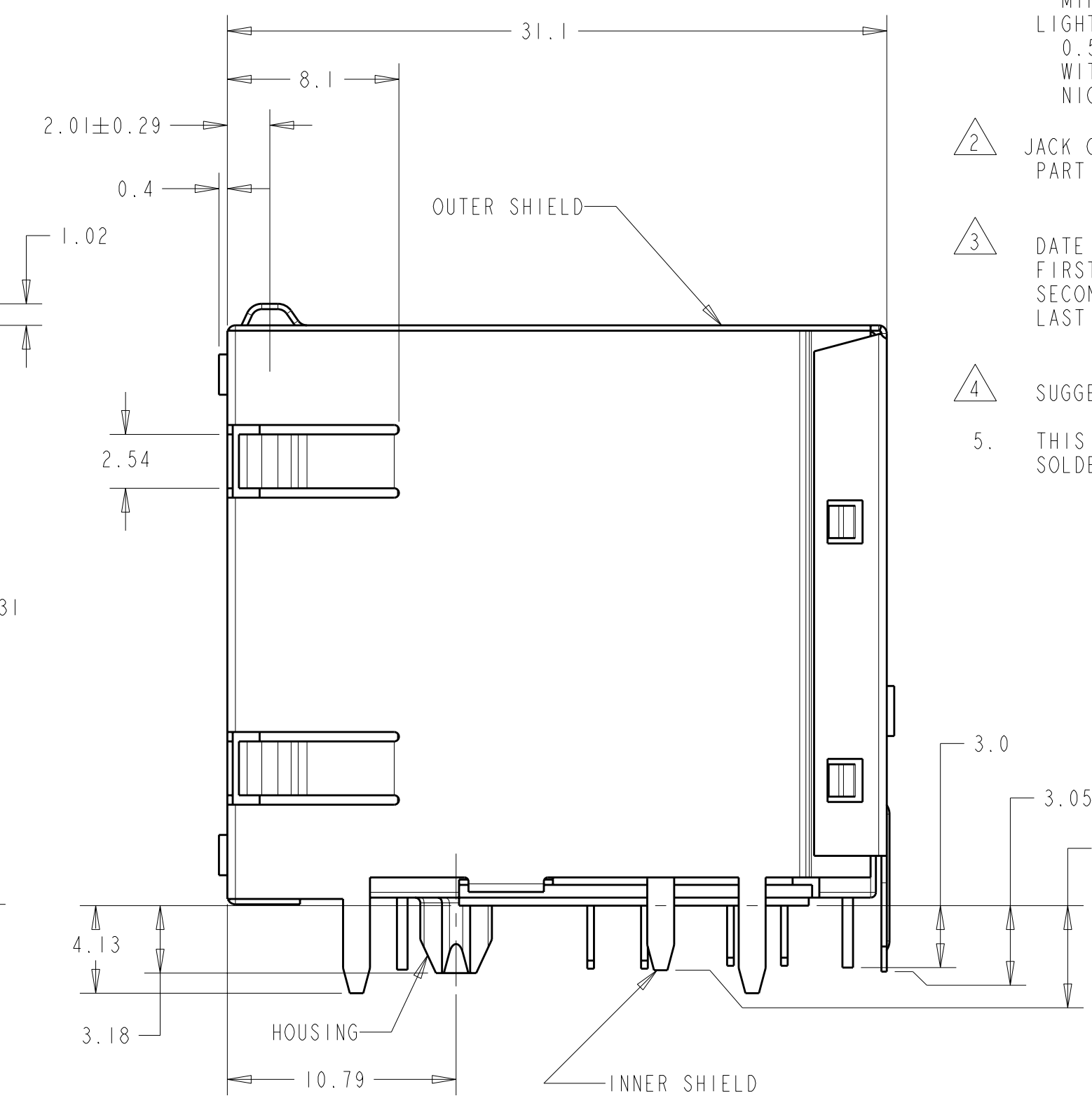
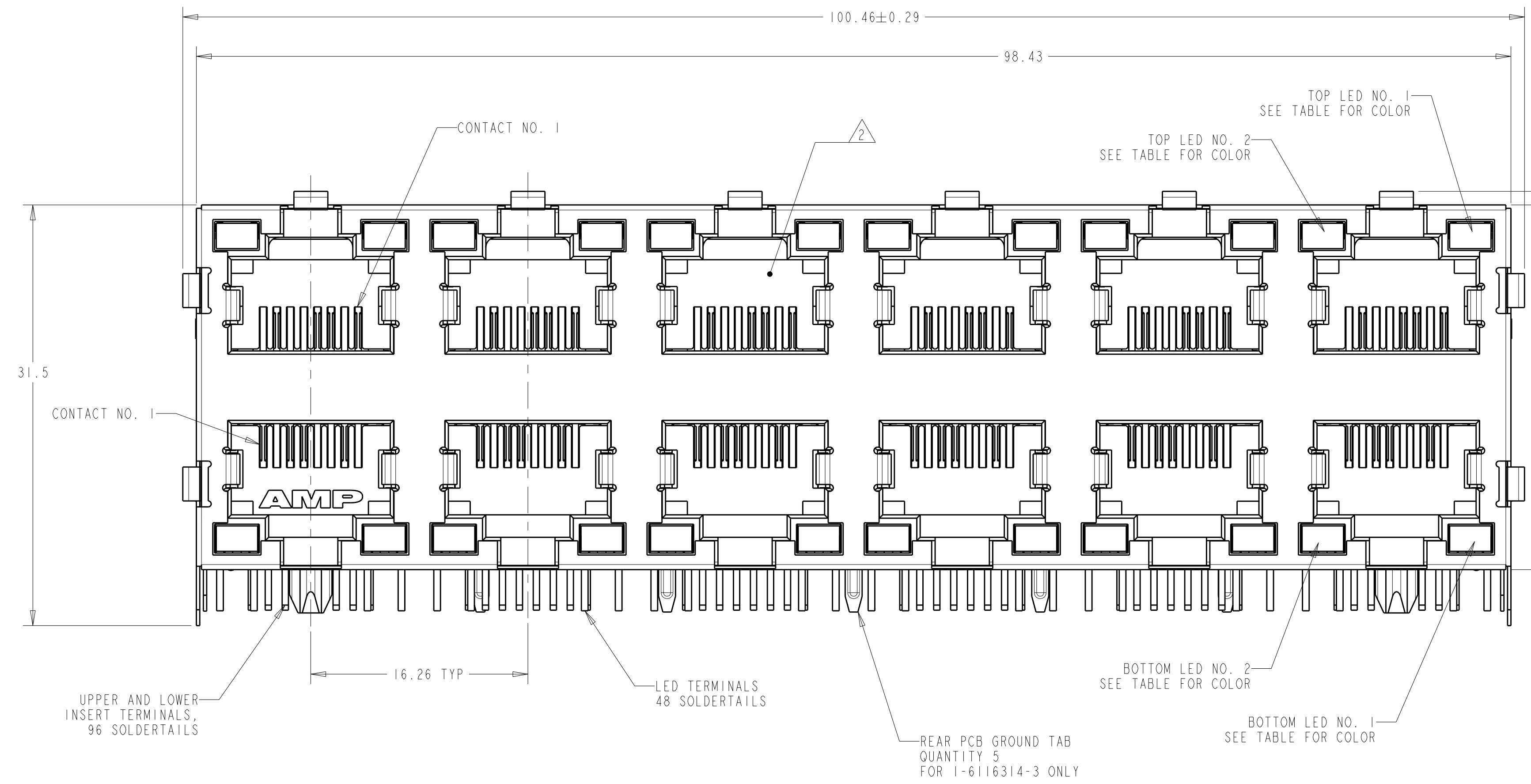


LOC	DIST	REV	DATE	BY	APP'D
AA	00	D	ECO-08-001849	2/FEB/2008	LAM JW

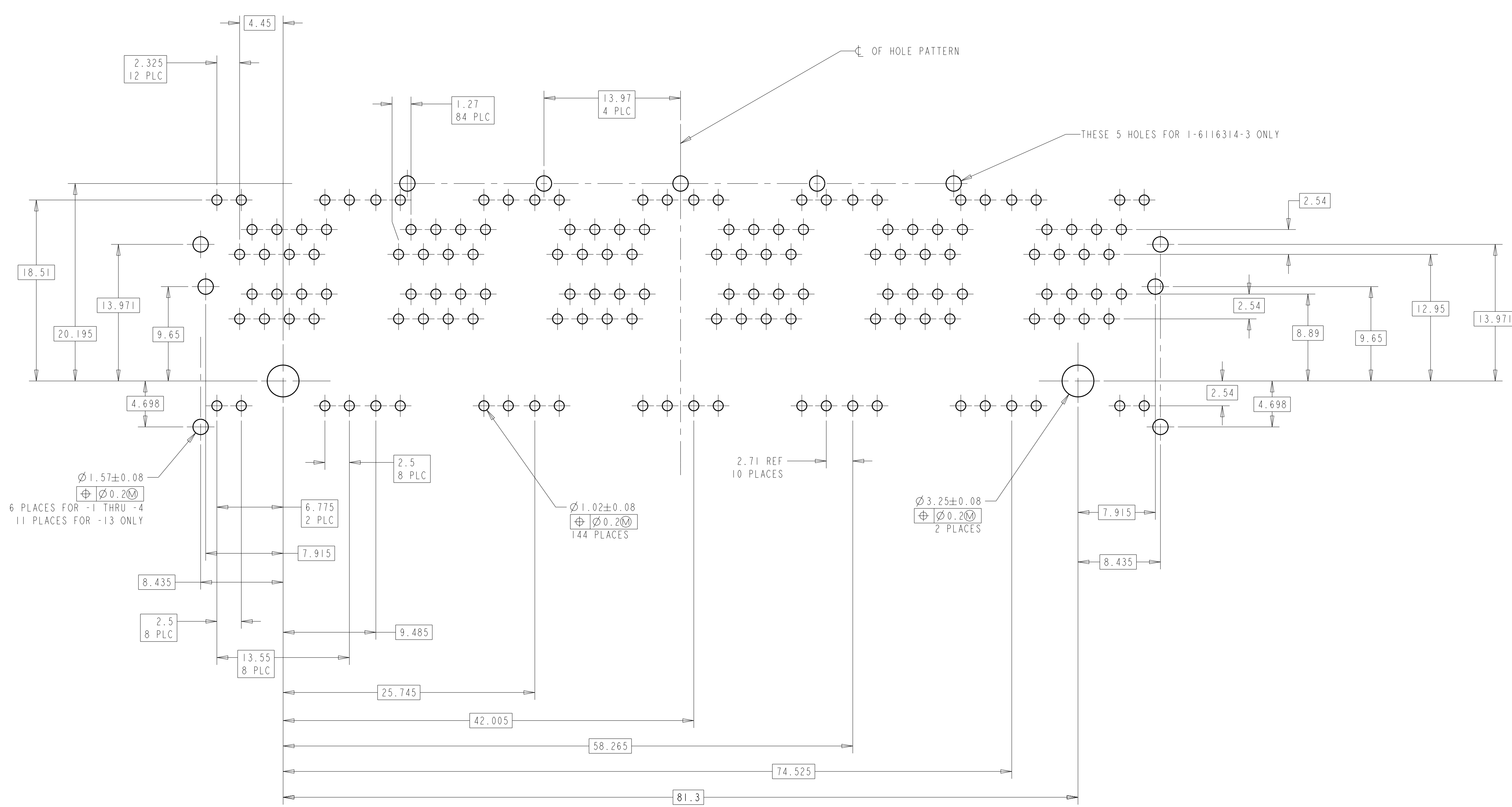
- MATERIAL: HOUSING - PBT POLYESTER, BLACK, UL 94V-0.
 TERMINALS - 0.33 THICK PHOS BRONZE PLATED WITH 1.27µm
 MINIMUM THICK HARD GOLD IN LOCALIZED AREA AND 3.81µm
 MINIMUM THICK MATTE TIN IN SOLDER AREA OVER 1.27µm
 MINIMUM THICK NICKEL UNDERPLATE.
 SHIELD - 0.25 THICK COPPER ALLOY PLATED WITH 2.03µm
 MINIMUM BRIGHT TIN OVER 1.27µm MINIMUM NICKEL
 LIGHT EMITTING DIODE (LED) - DIFFUSED EPOXY LENS,
 0.51 X 0.51 CARBON STEEL WIREFRAME LEADS PREPLATED
 WITH 8.89µm TIN/COPPER OVER 2.03µm SILVER OVER 3.56µm
 NICKEL UNDERPLATE OVER 1.02µm COPPER UNDERPLATE.
- JACK CAVITY CONFORMS TO FCC RULES AND REGULATIONS,
 PART 68 SUBPART F.
- DATE CODE LOCATED ON REAR OF PART APPROX AS SHOWN:
 FIRST 2 DIGITS ARE LAST 2 DIGITS OF YEAR,
 SECOND 2 DIGITS ARE MANUFACTURING WORK WEEK,
 LAST DIGIT IS DAY OF WEEK, WITH SUNDAY=1.
- SUGGESTED OPERATING CURRENT FOR THE LED IS 20 mA.
- THIS MODULAR JACK WITH INTEGRATED LED IS NOT IR REFLOW
 SOLDERING PROCESS COMPATIBLE.



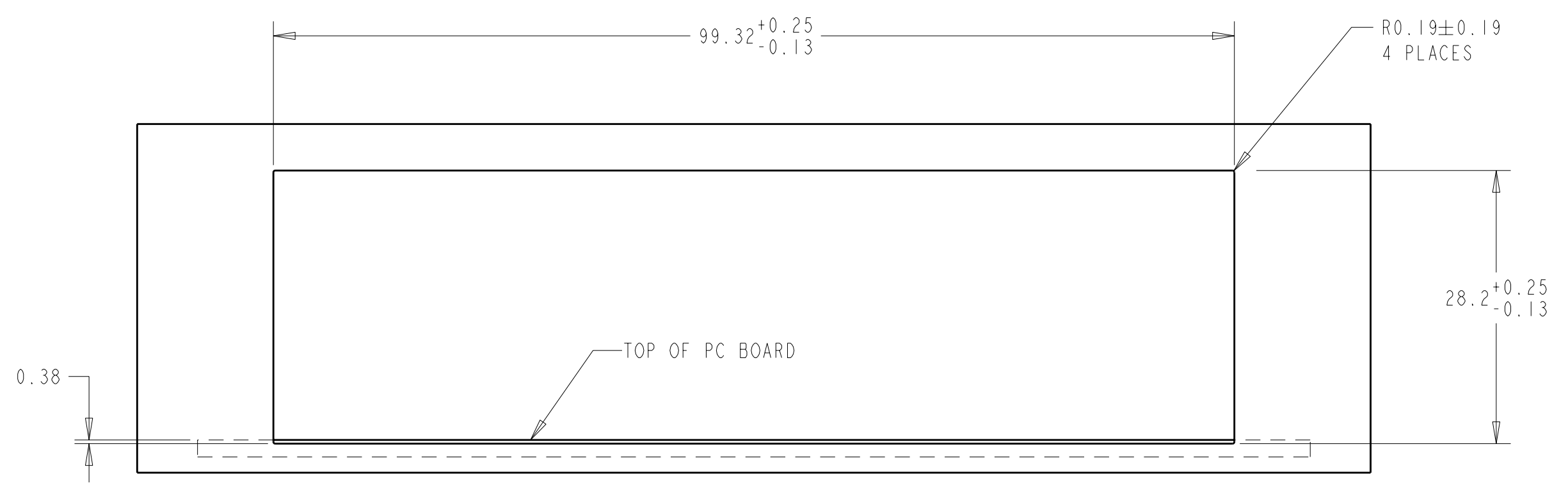
LED NO. 2	LED NO. 1	LED NO. 2	LED NO. 1	PART NUMBER
GREEN	YELLOW	GREEN	YELLOW	1-6116314-3
GREEN/ORANGE	GREEN/ORANGE	GREEN/ORANGE	GREEN/ORANGE	6116314-4
GREEN	YELLOW	GREEN	YELLOW	6116314-3
YELLOW	GREEN	GREEN	YELLOW	6116314-2
GREEN	GREEN	GREEN	GREEN	6116314-1

DIMENSIONS: mm 	TOLERANCES UNLESS OTHERWISE SPECIFIED: 9 PLC ±0.25 8 PLC ±0.25 5 PLC ±0.25 4 PLC ±0.25 ANGLES ±0.25	DWN J. RINGLER 11SEP2005 CHK J. WESTMAN 11SEP2005 APVD S. FLICKINGER 11SEP2005 PRODUCT SPEC 108-1163-2 APPLICATION SPEC 114-2154 WEIGHT CUSTOMER DRAWING	Tyco Electronics Harrisburg, PA 17105-3608 NAME ASSEMBLY, STACKED JACK, 2 x 6, 8 POSITION, SHIELDED, PANEL GROUND, LEDS, CATEGORY 5 SIZE CAGE CODE DRAWING NO RESTRICTED TO A1100779 C=6116314 SCALE 1:1 SHEET 1 OF 2 REV D
-----------------------	--	--	--

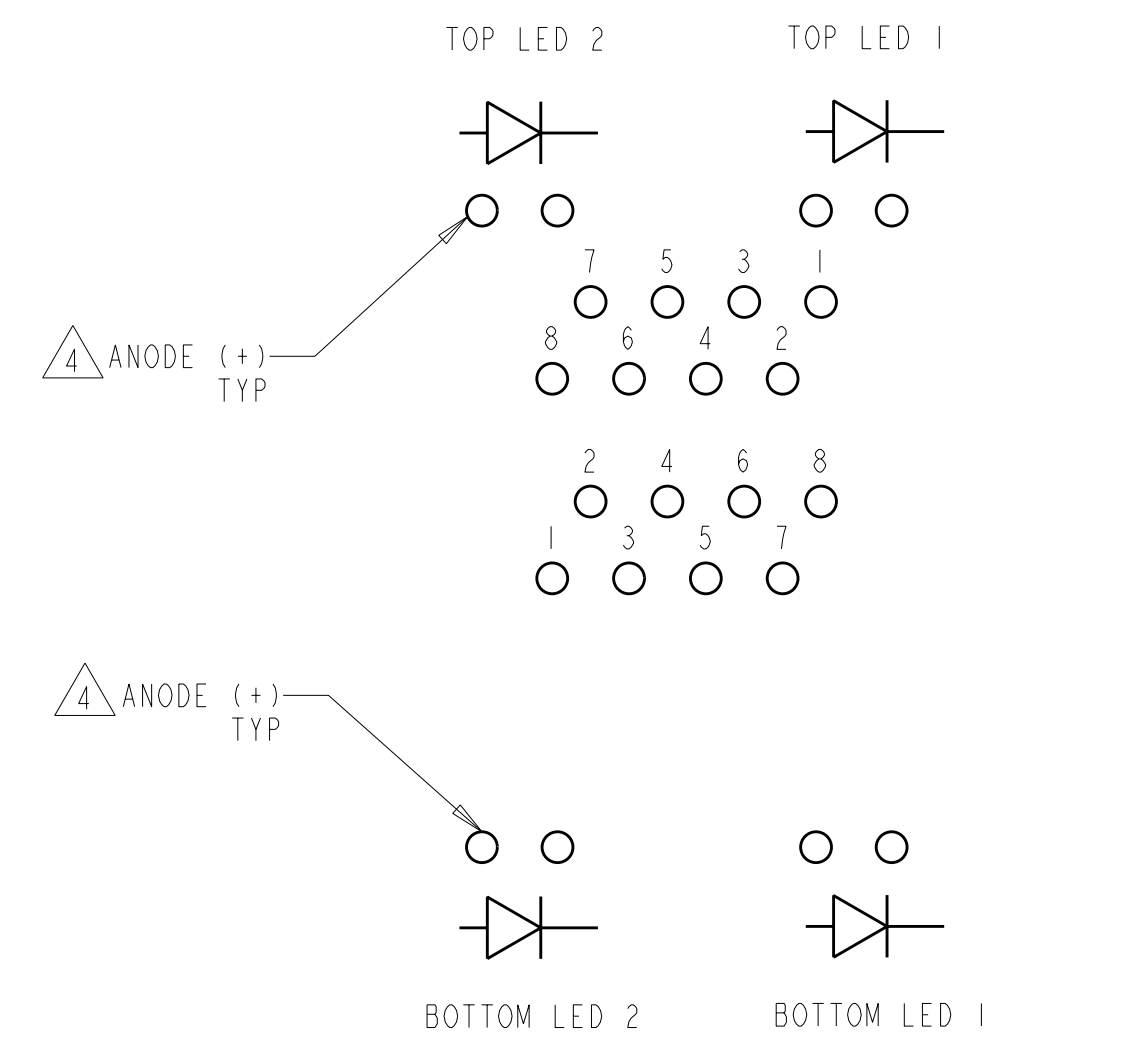
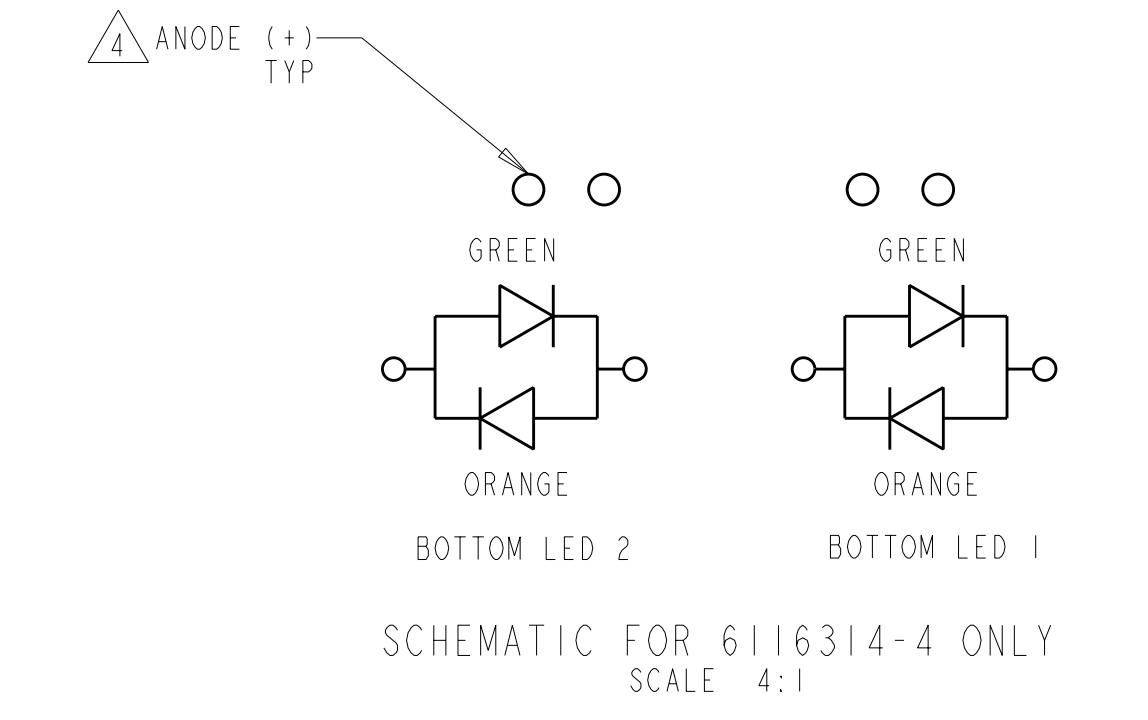
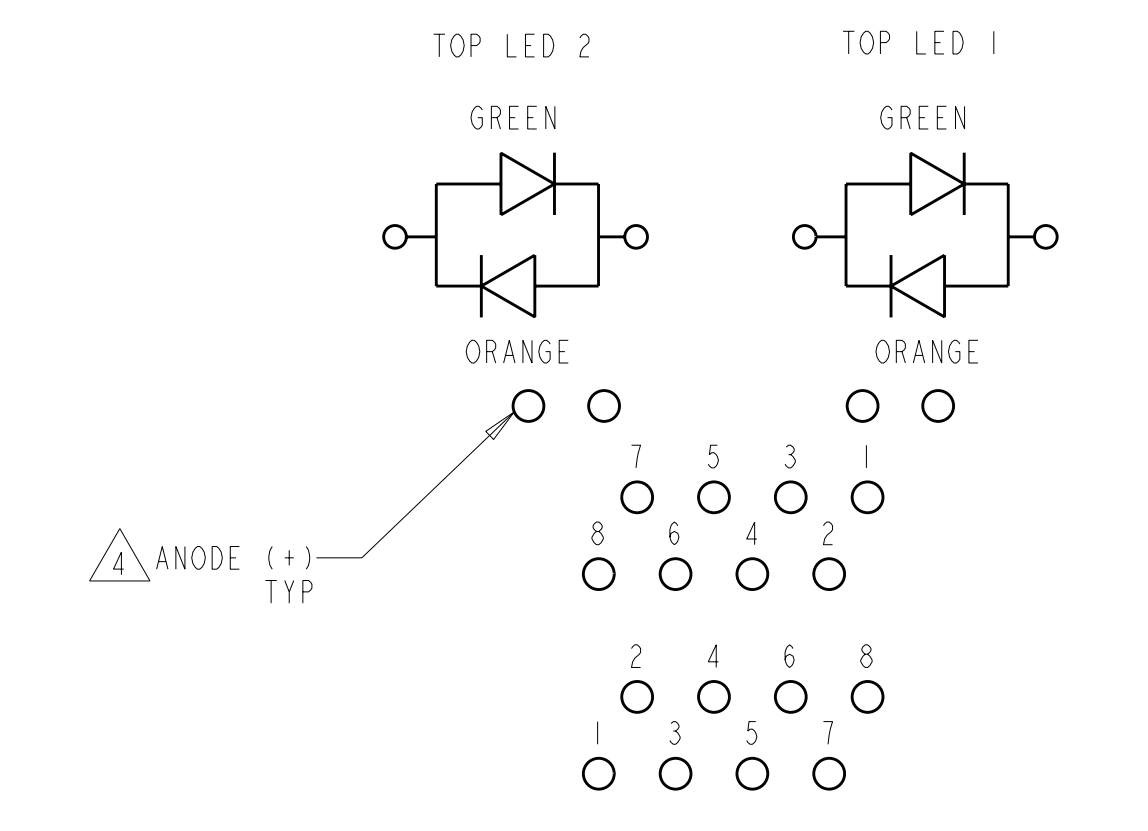
LOC	DIST	REV	DATE	BY	APPD
AA	00				



PC BOARD LAYOUT VIEWED FROM COMPONENTS SIDE OF BOARD
 SCALE 4:1



SUGGESTED PANEL CUTOUT DIMENSIONS
 SCALE 2:1



SCHEMATIC FOR 6116314-1, -2, -3 & -13
 SCALE 4:1

DIMENSIONS: mm 		TOLERANCES UNLESS OTHERWISE SPECIFIED: 9 PLC ± 0.25 1 PLC ± 0.25 2 PLC ± 0.25 3 PLC ± 0.25 4 PLC ± 0.25 ANGLES ± 0.25		DWN D. RINGLER 11SEP2005 CHK J. WESTMAN 11SEP2005 APVD S. FLICKINGER 11SEP2005 NAME ASSEMBLY, STACKED JACK, 2 x 6, 8 POSITION, SHIELDED, PANEL GROUND, LEADS, CATEGORY 5 PRODUCT SPEC 108-1163-2 APPLICATION SPEC 114-2154 WEIGHT - CUSTOMER DRAWING		Tyco Electronics Harrisburg, PA 17105-3608 SIZE CAGE CODE DRAWING NO RESTRICTED TO A1100779 C=6116314 SCALE 1:1 SHEET 2 OF 2 REV D	
-----------------------	--	---	--	---	--	--	--